

UNI ROOF

QUICK START GUIDE

BY CRANE



1.0 Introduction

DESSA offers efficient lightweight temporary roofing, encapsulation solutions, aluminium lattice girders and safety products. DESSA's unique and distinctive aluminium solutions are suitable for not only grandstands, stages and events but also public utility works, local authorities, government buildings, historic buildings, highways, bridges and industrial market sectors. Time proven on demanding and complex applications across varied climates throughout the UK, Canada, UAE, Australia and Europe, DESSA offer unrivalled span capabilities and alternative configurations.

From a choice of roofing solutions and general purpose lattice girders providing excellent cost to strength ratio, to high capacity lattice girders complete with a dedicated bracing system, we provide the industry with an ever widening range of cost effective products along with extensive after sales support to the highest professional standards.

At DESSA we develop innovative and practical solutions for the support, access and weather protection industries. All of our designs are technically proven and are registered with protected design rights meaning only DESSA can offer superior solutions through our products. Our senior management team at DESSA offer considerable experience in the fields of contracting, engineering, manufacture and customer service. Having introduced a number of class leading products into the UK market and we have worked closely with a number of key clients in developing bespoke solutions to their problems which we manufacture on an exclusive basis.

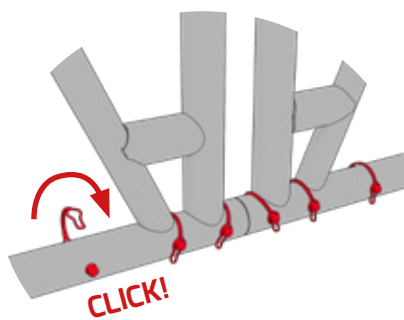
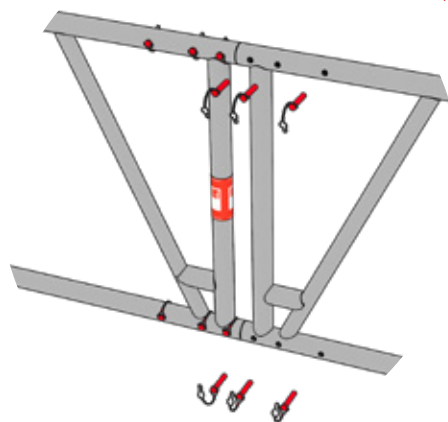
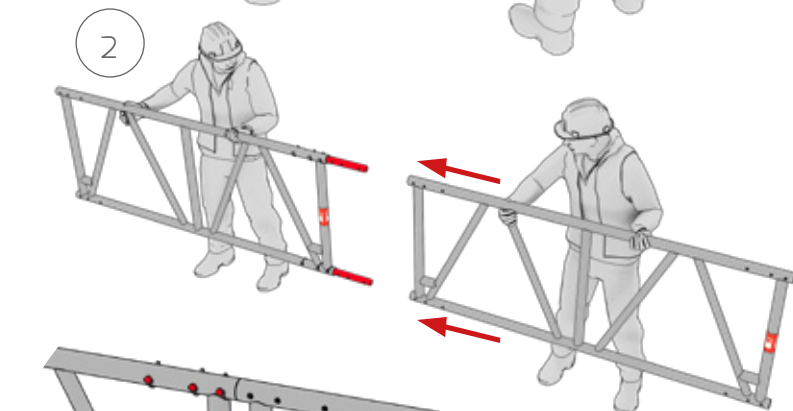
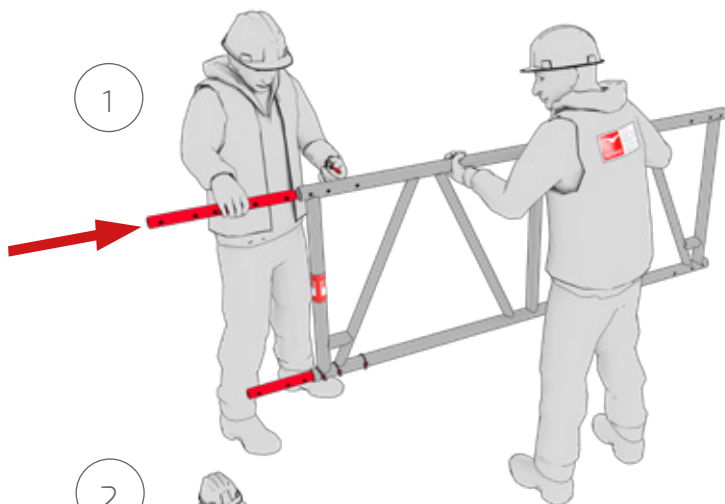
This Quick Start Guide is meant to guide you through the basic steps of building a UNI roof with the use of a crane. **A DESSA temporary roof always needs to be designed by a competent engineer and built by trained operatives, following safe method of work.**

For a detailed guide on how to design a DESSA UNlroof, please consult the UNlroof User Guide.

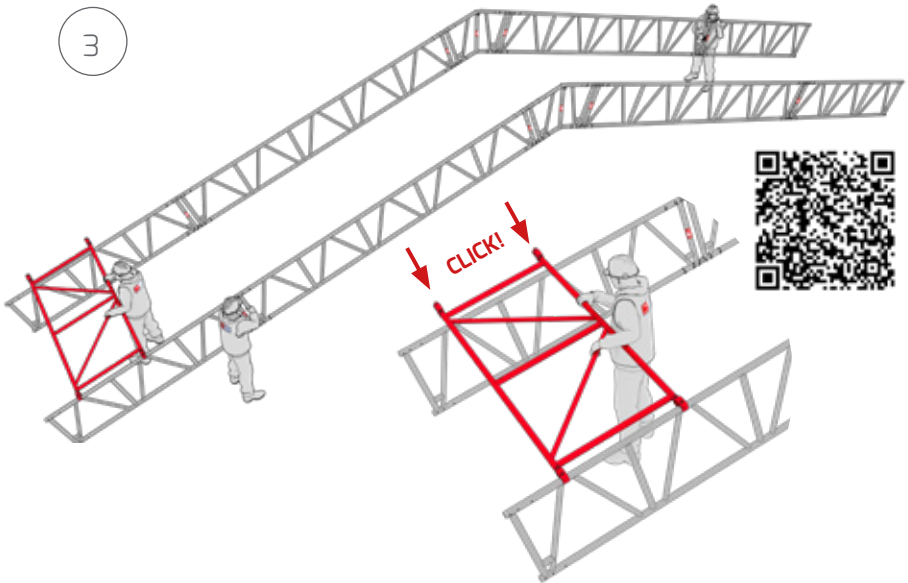
You will find QR codes throughout this document - when clicked or scanned with a compatible device they will take you to an animated training video relevant to the stage of assembly.



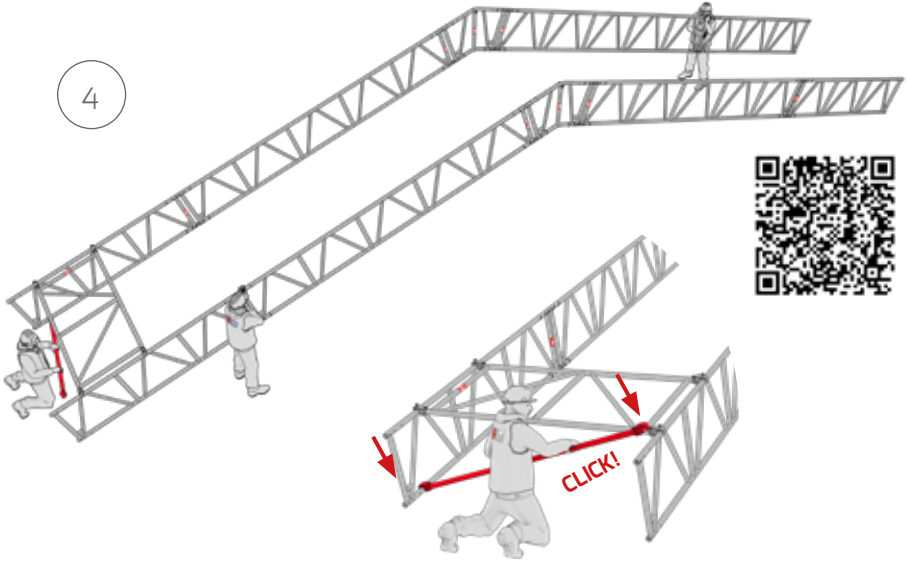
When in doubt - please contact us.



3

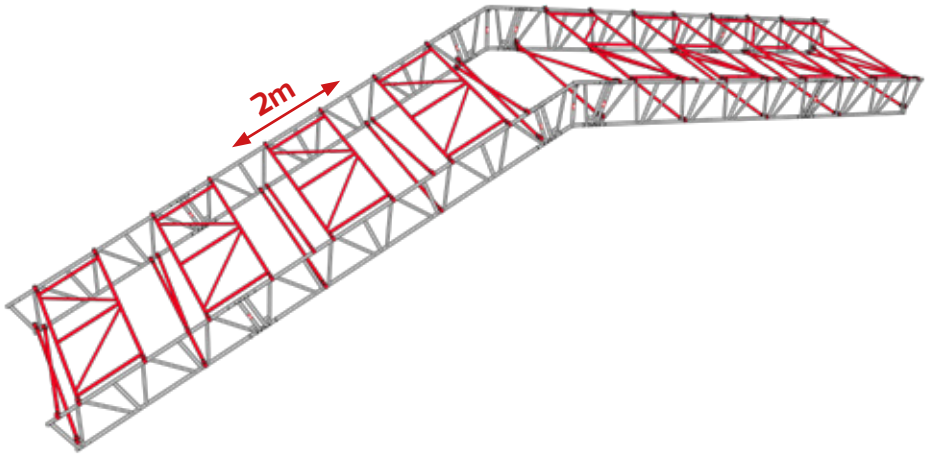
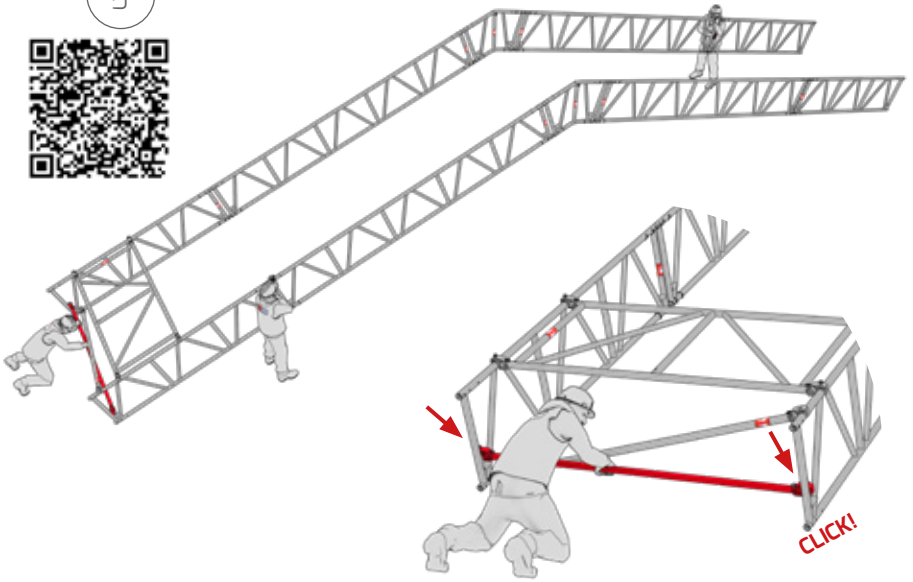


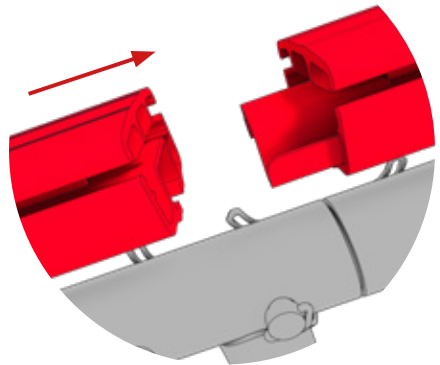
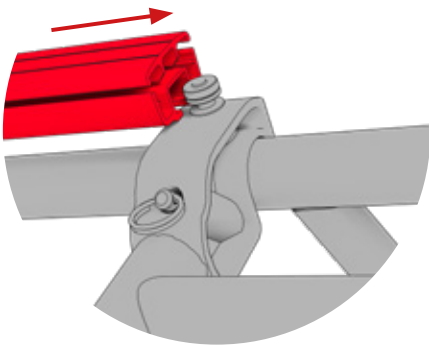
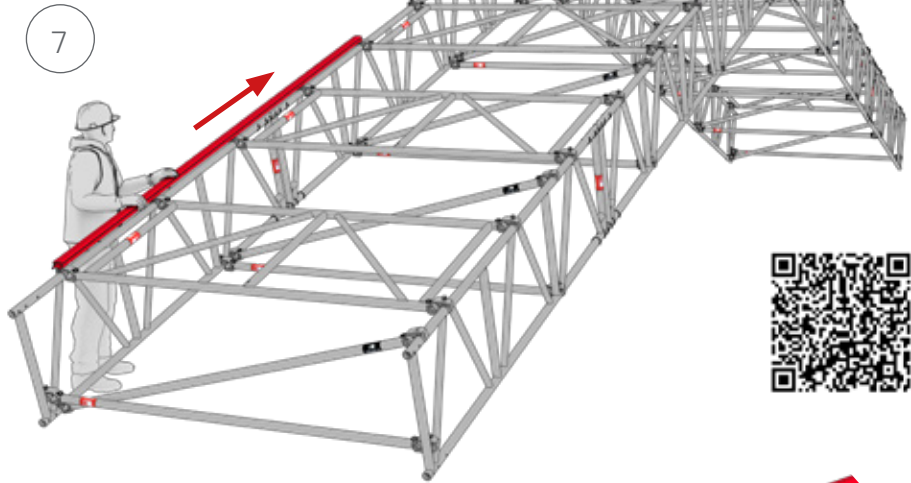
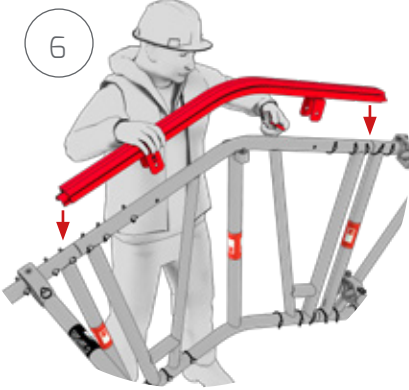
4

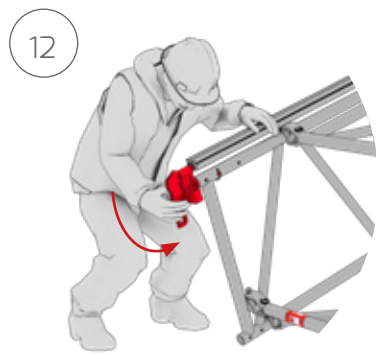
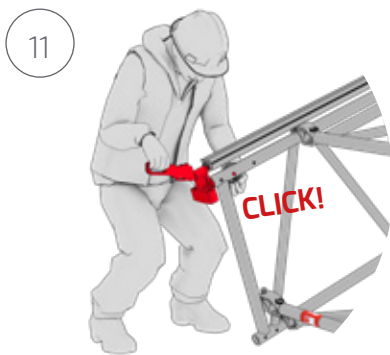
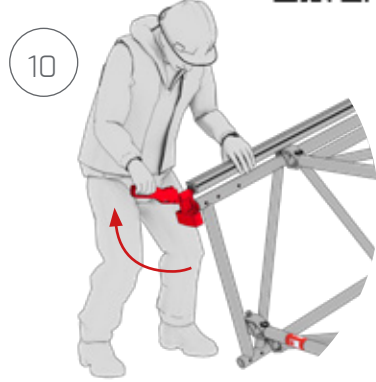
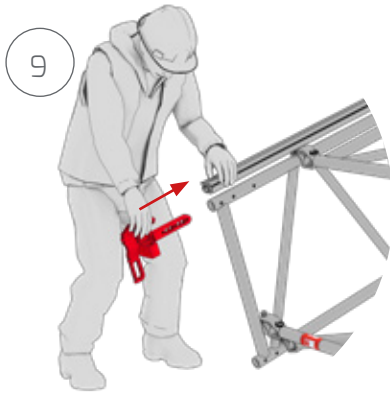
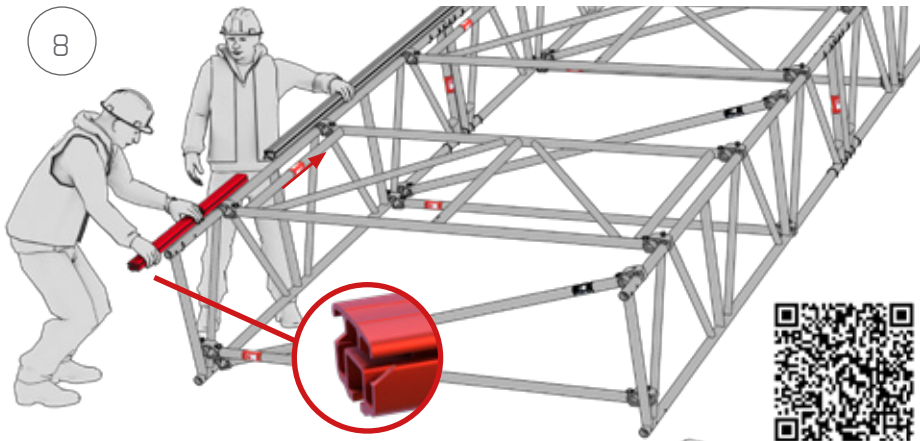


DESSA
SCAFFOLD
PRODUCTS
TECHNICAL
SERVICES

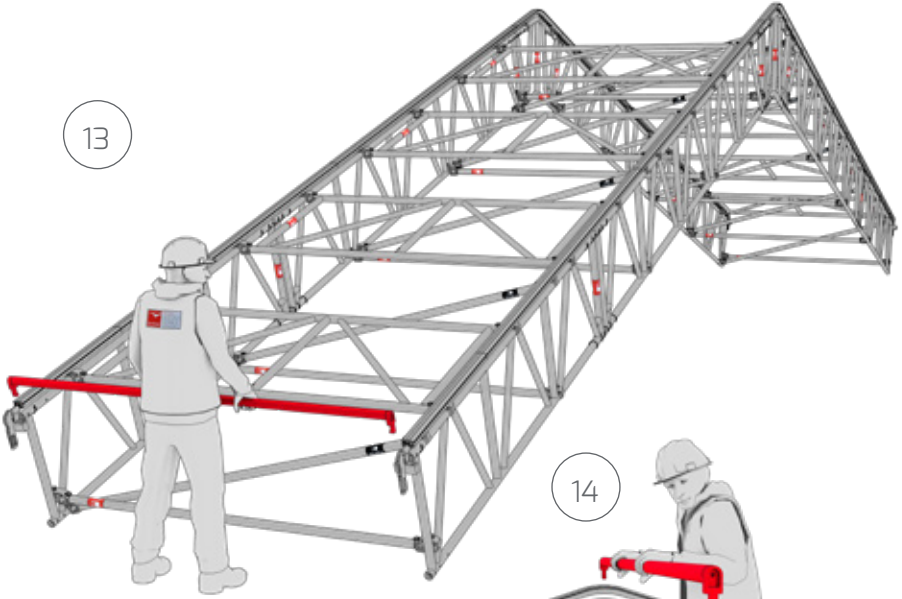
5



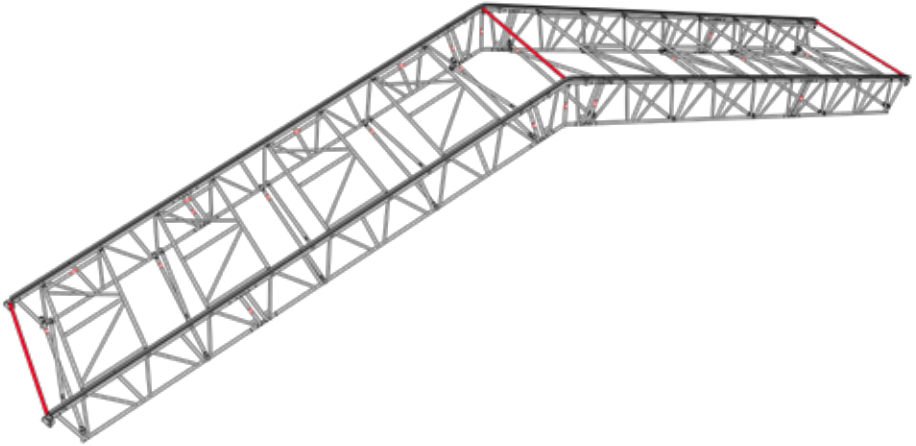




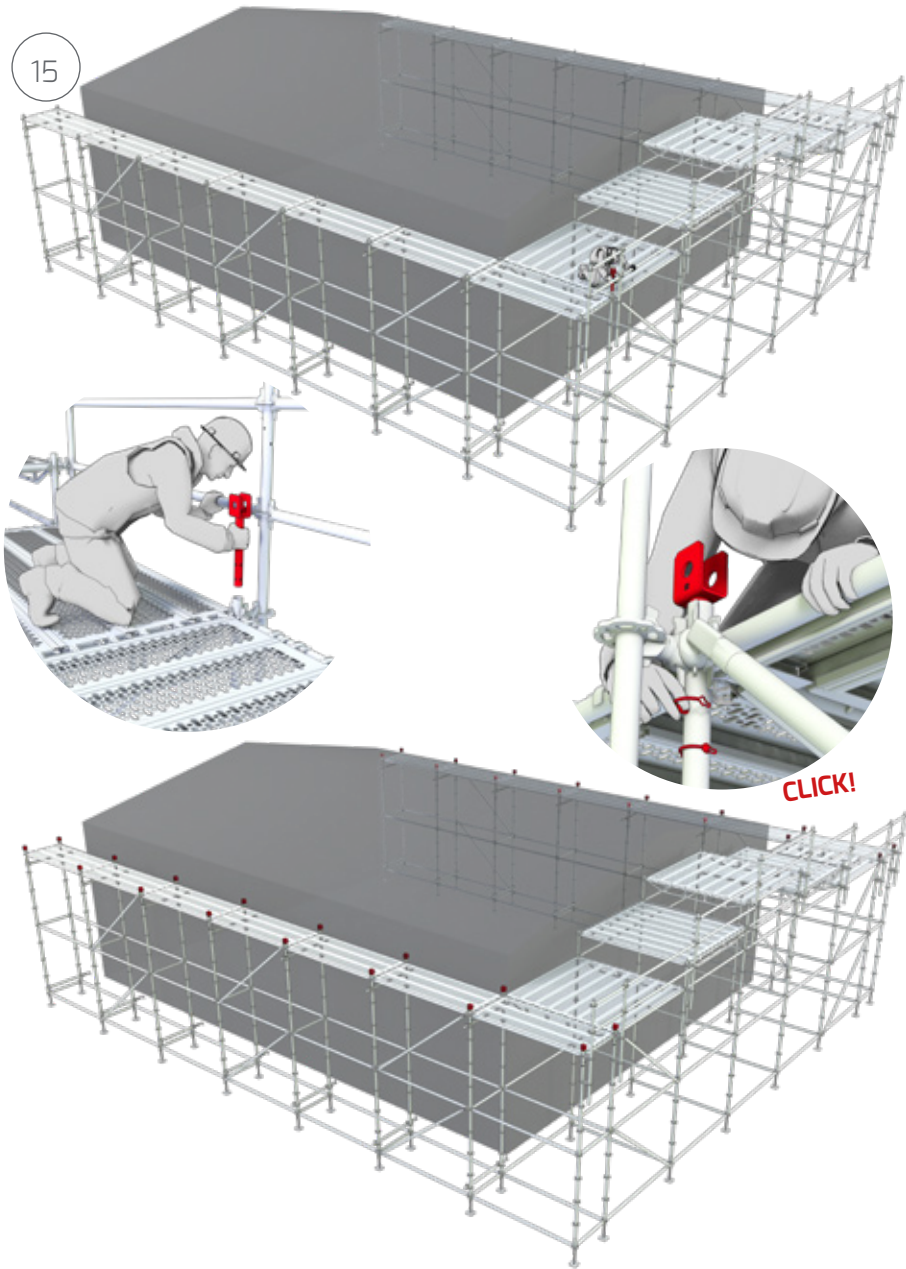
13



14

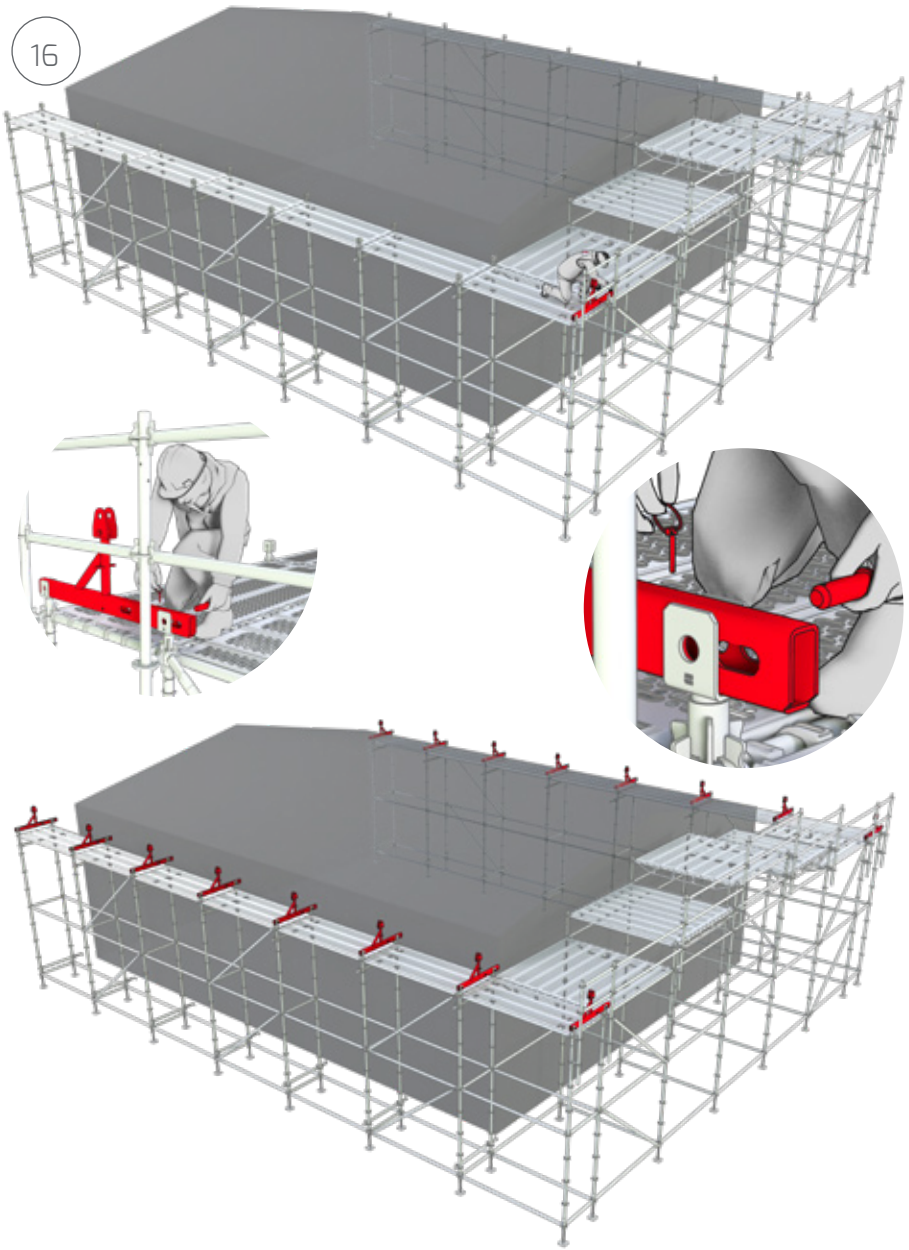


15



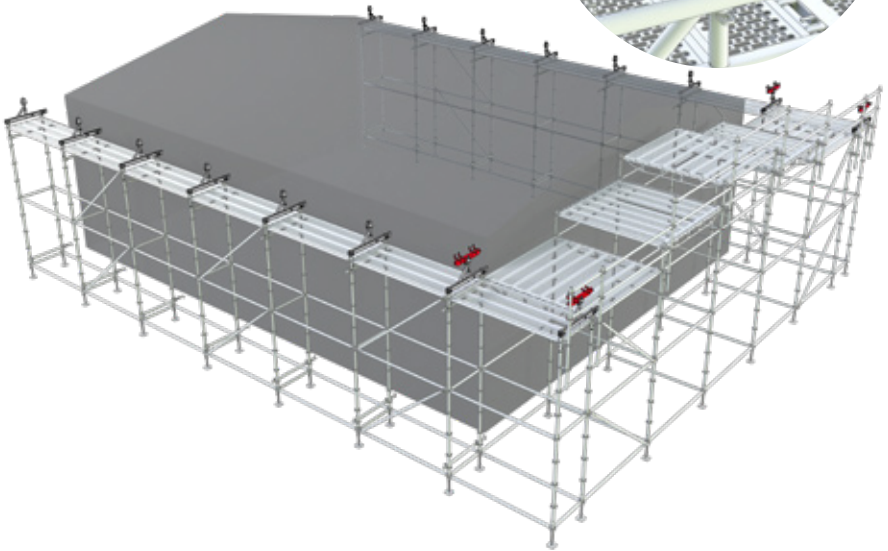
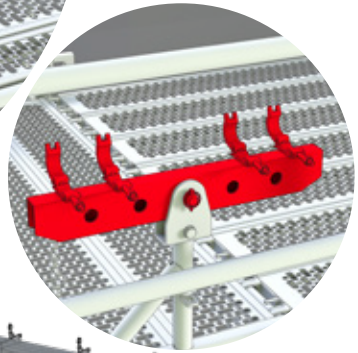
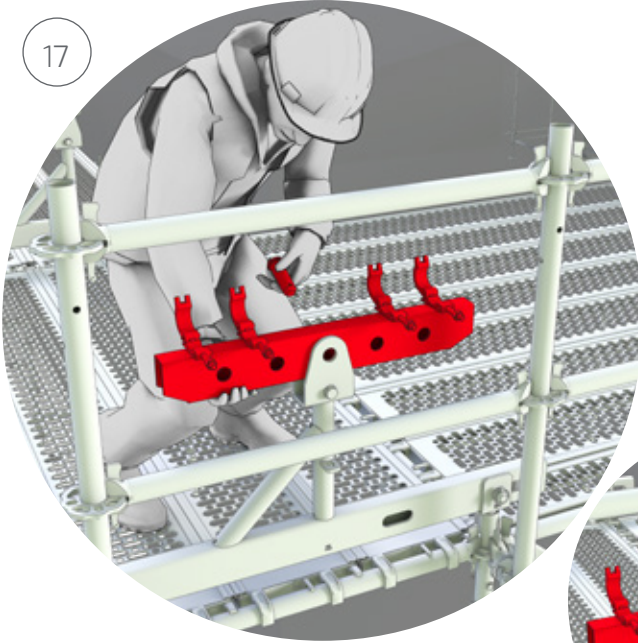
DESSA
SCAFFOLD
PRODUCTS
TECHNICAL
SERVICES

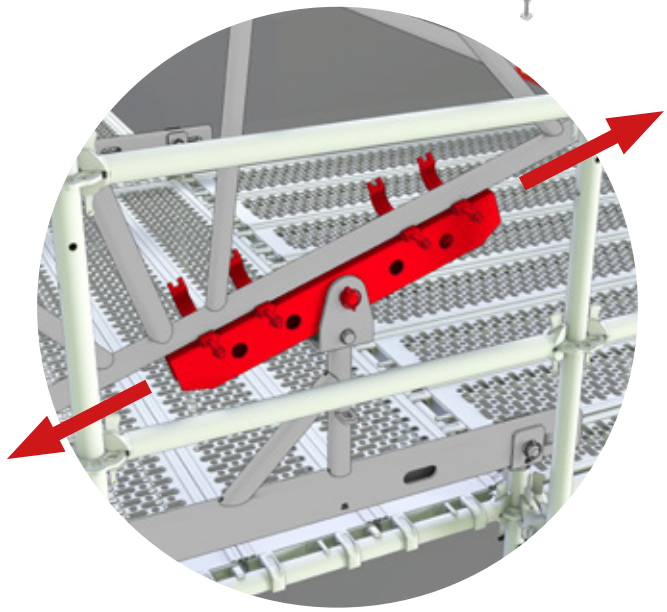
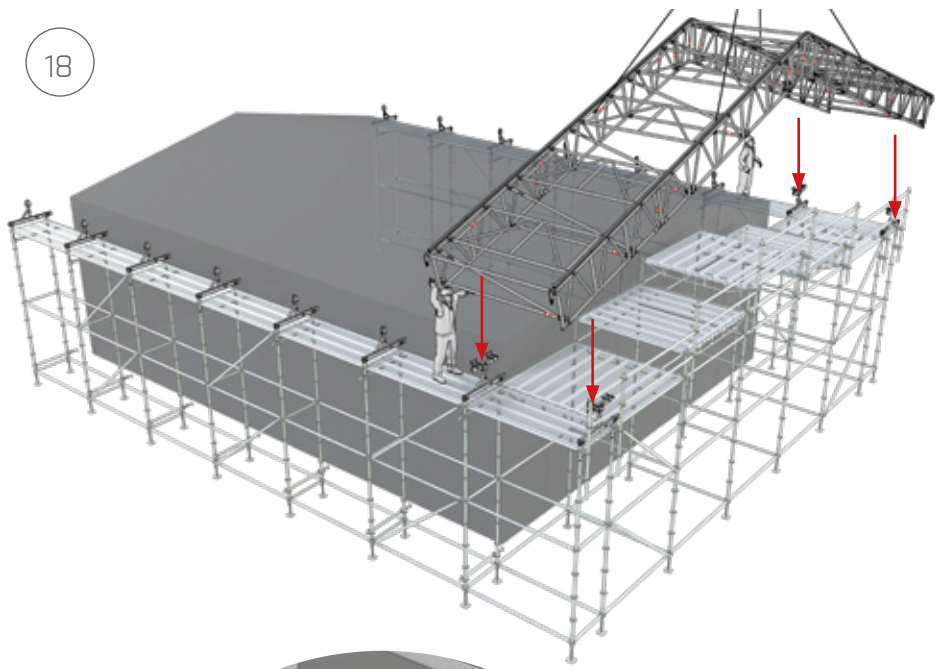
16

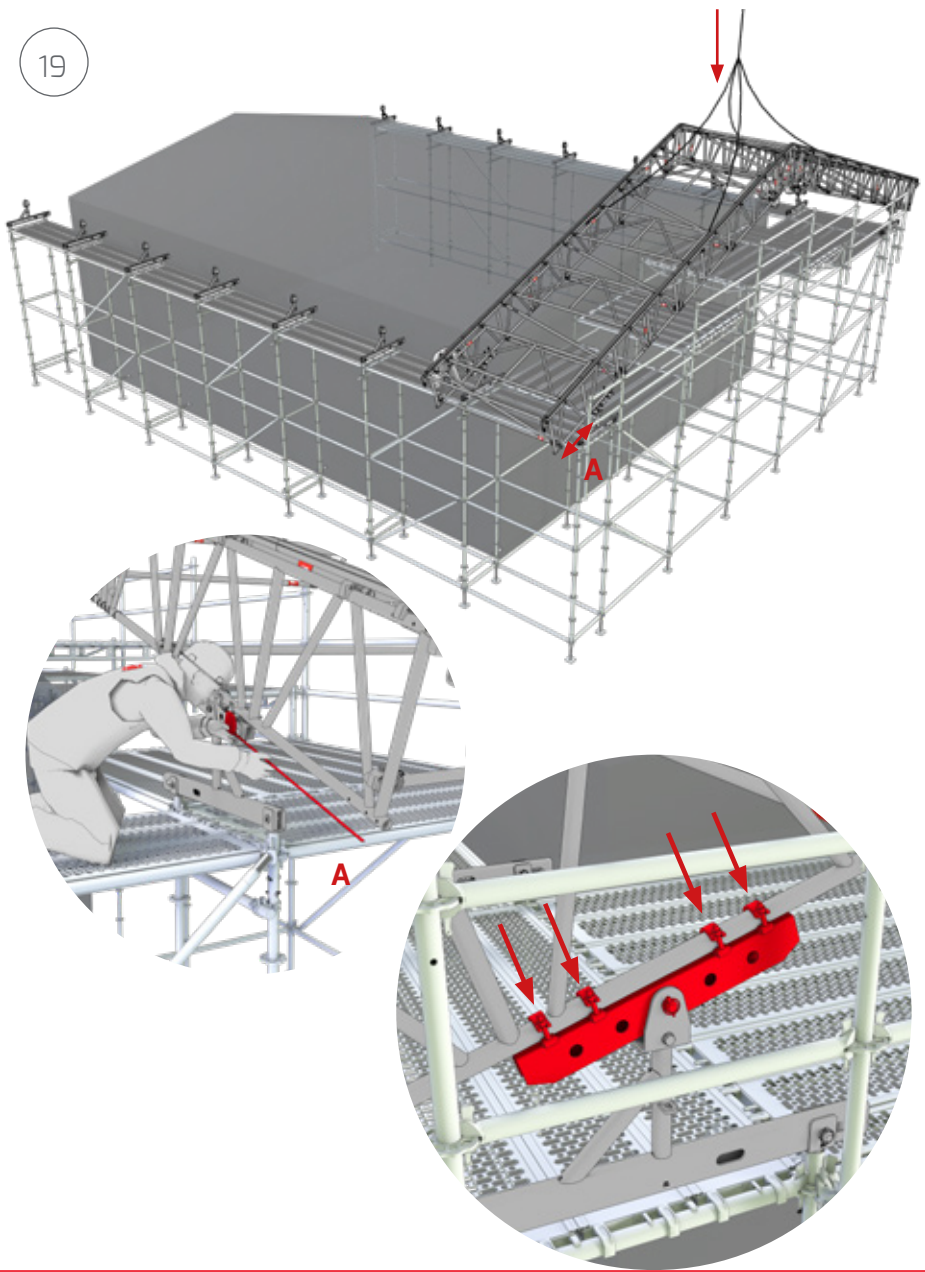


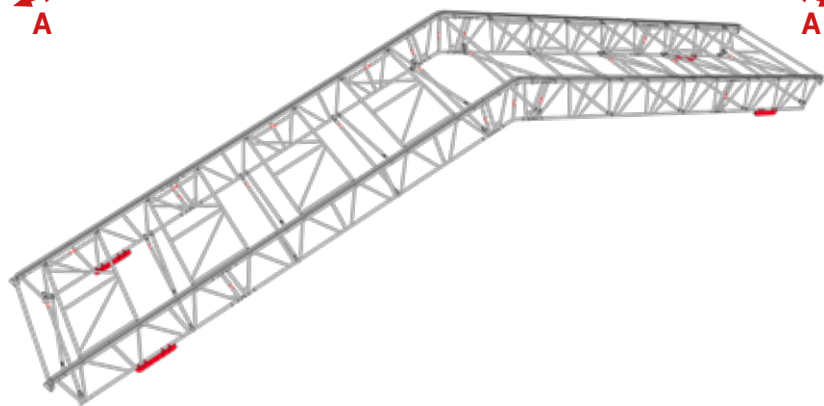
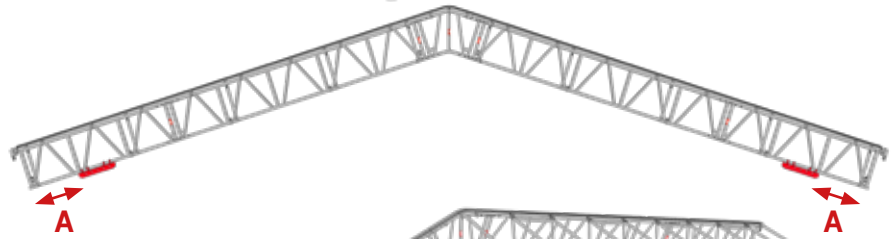
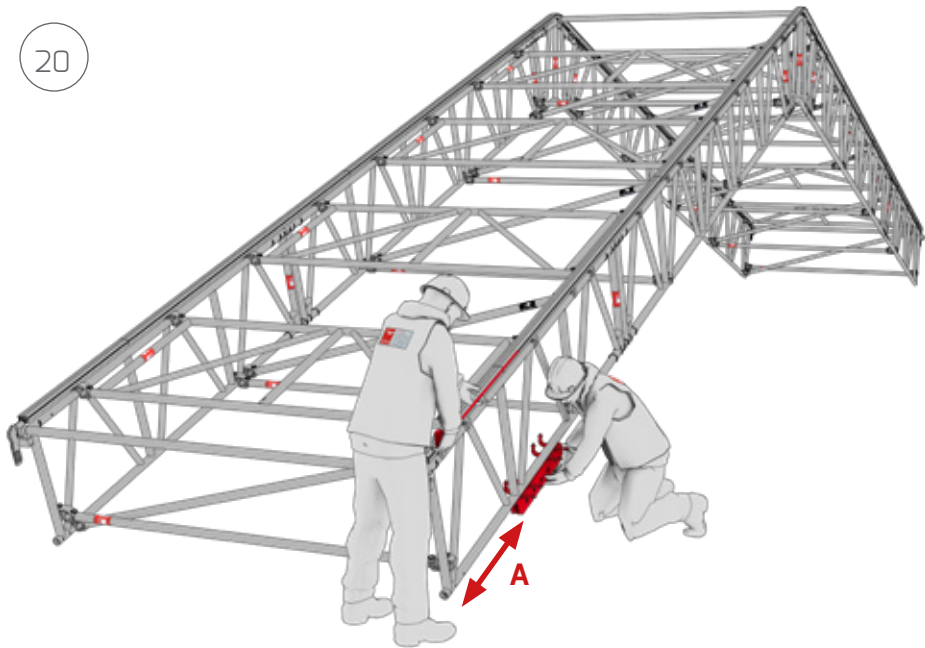
DESSA
SCAFFOLD
PRODUCTS
TECHNICAL
SERVICES

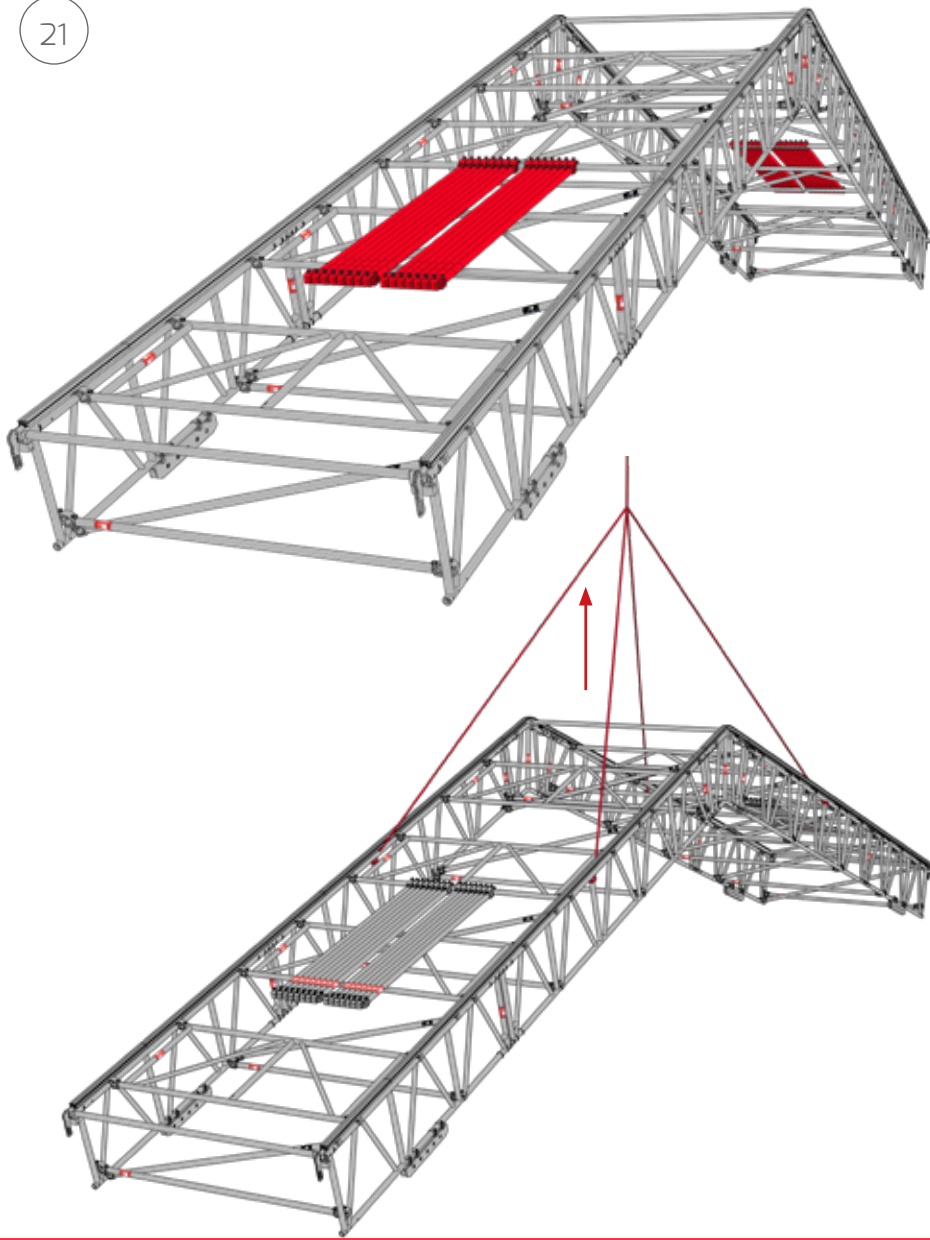
17

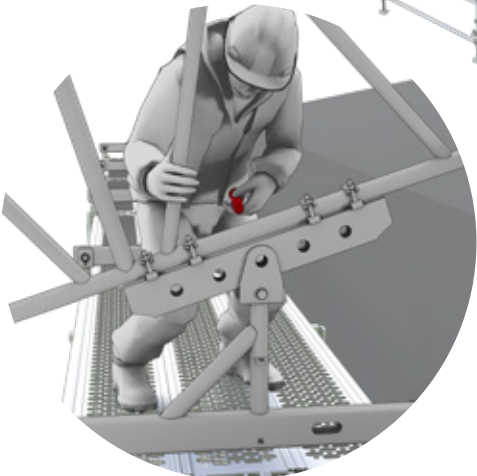
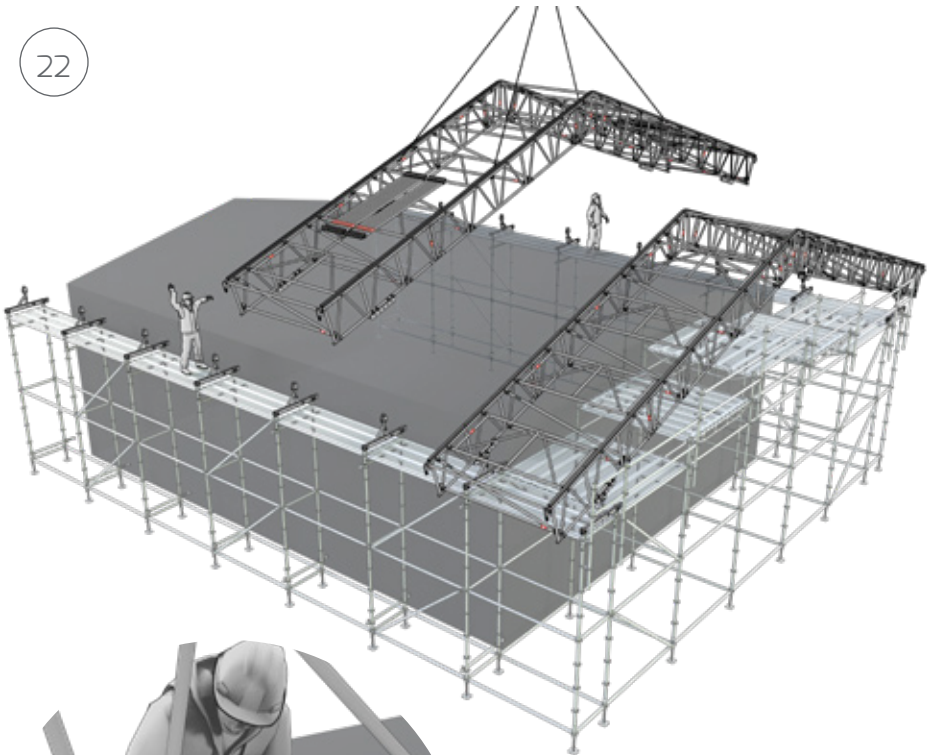




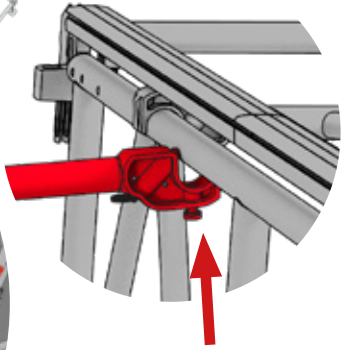
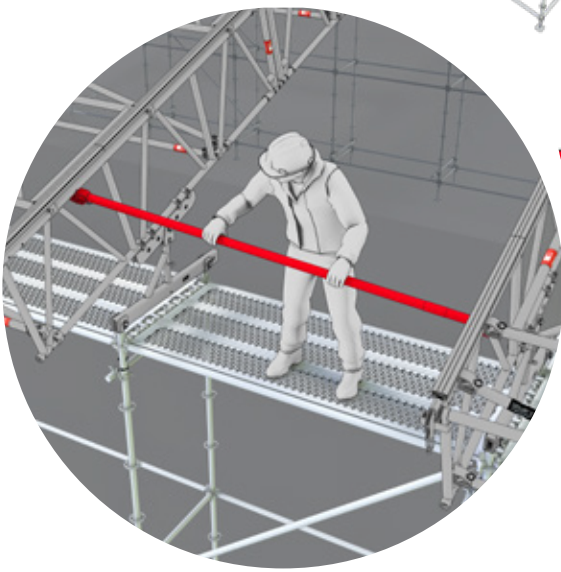
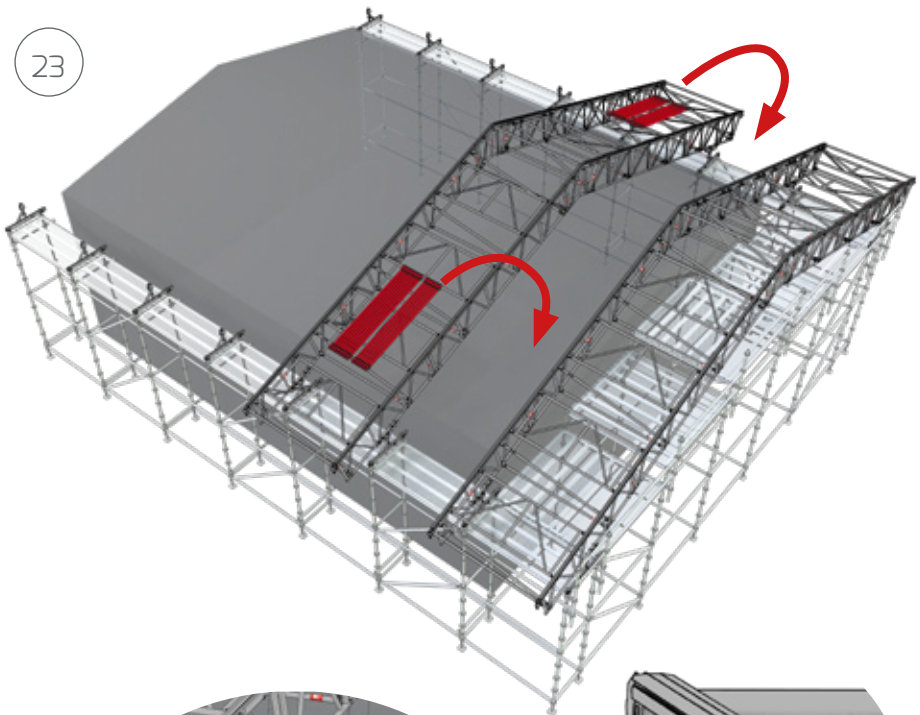


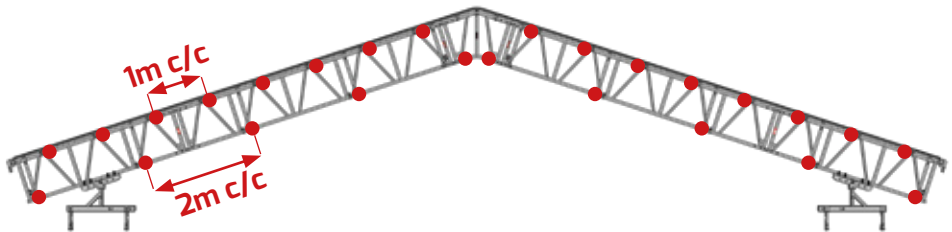
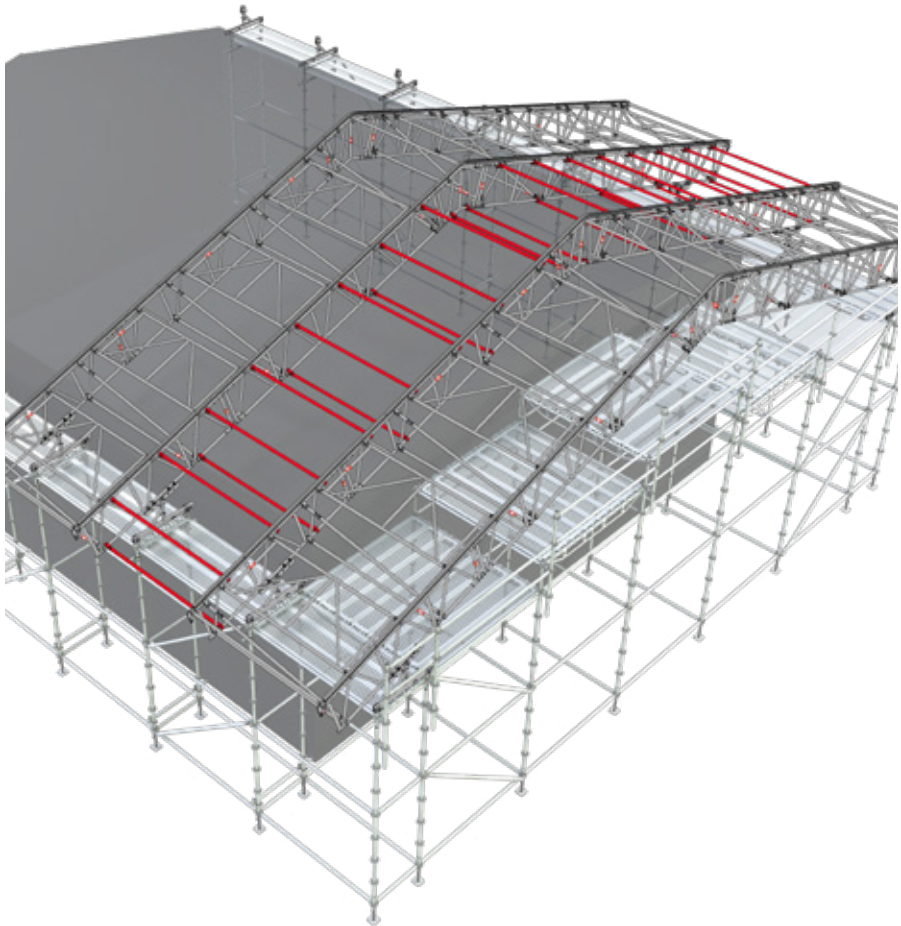


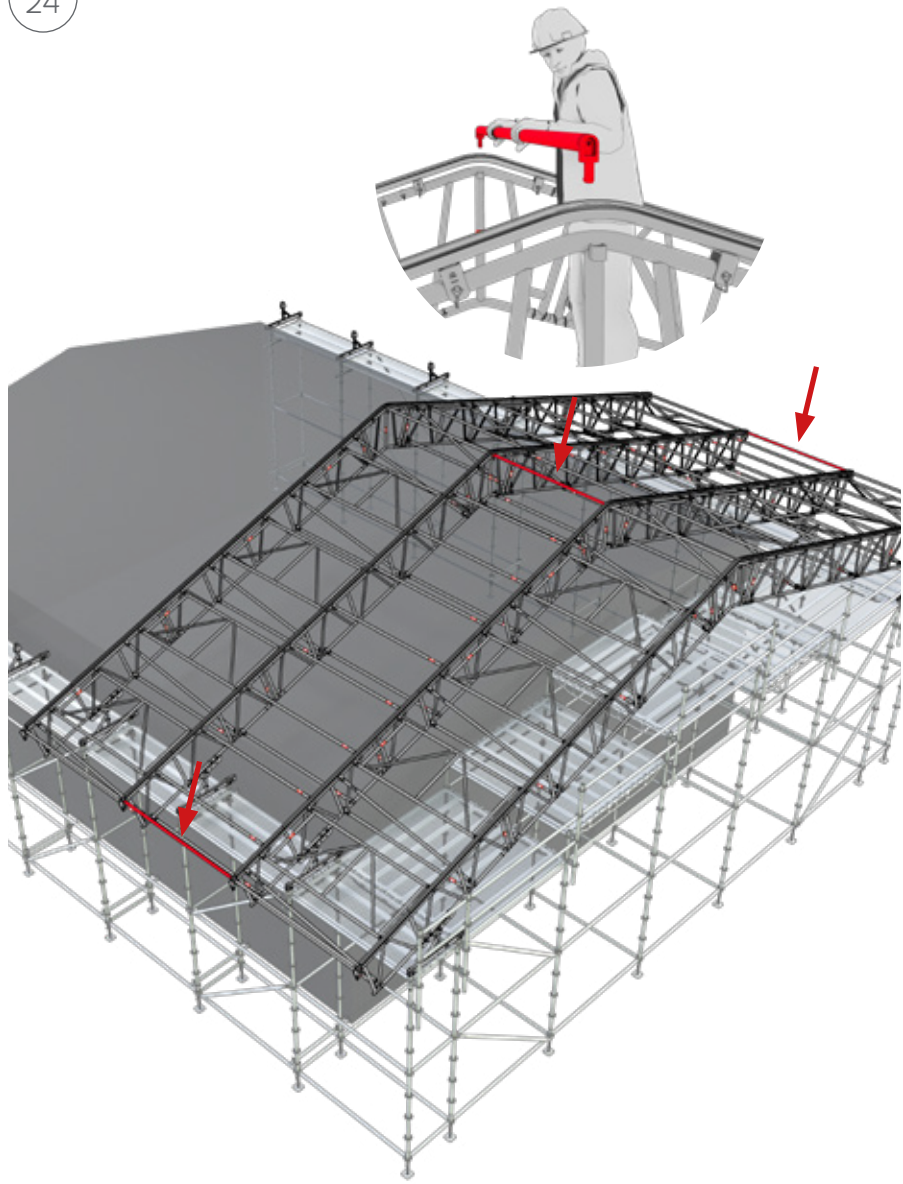


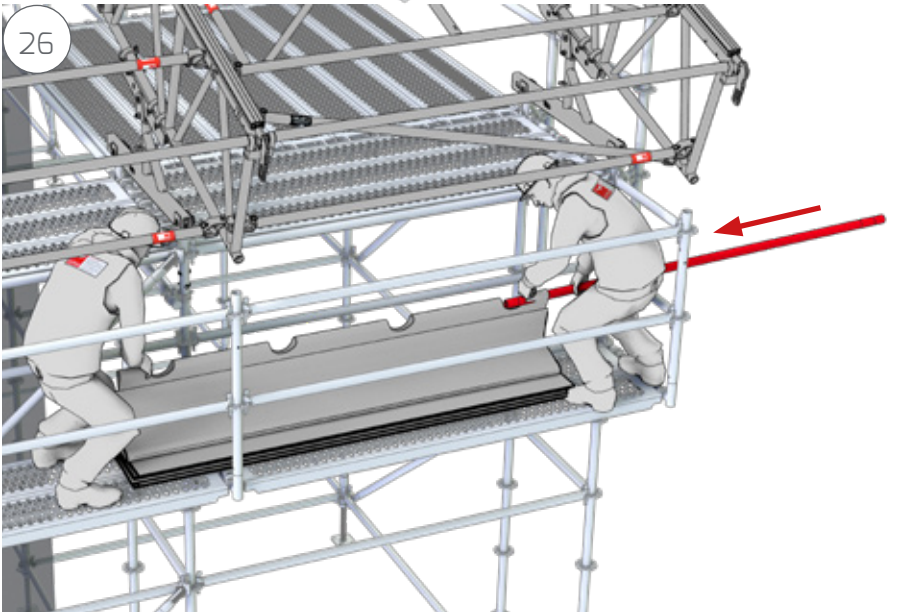
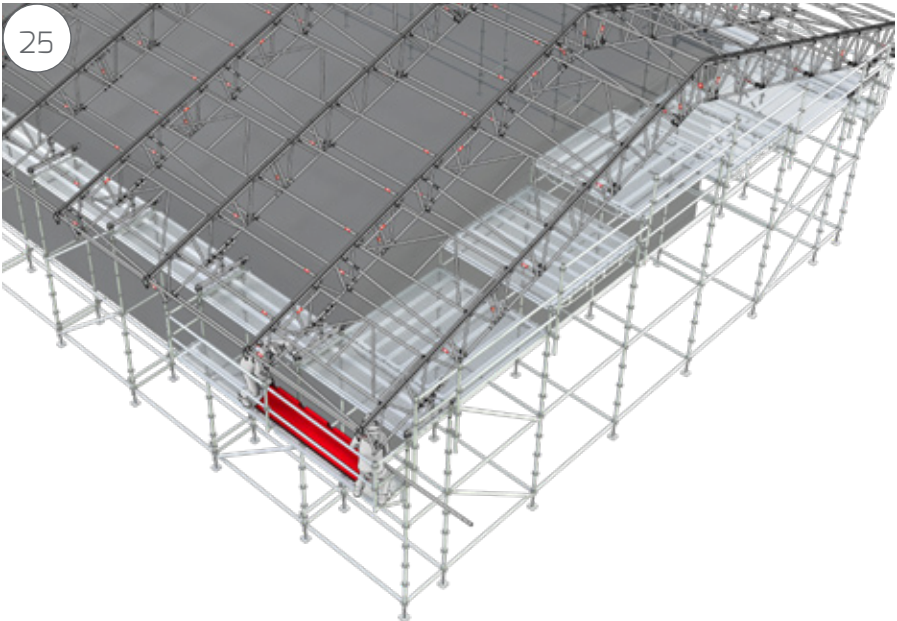


23

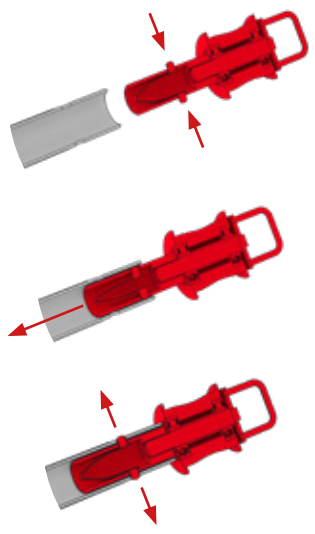
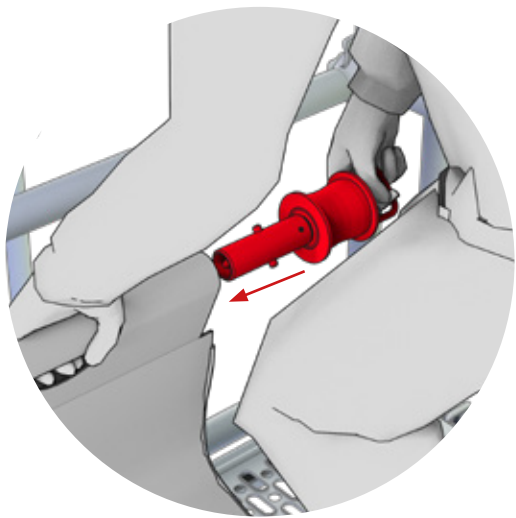
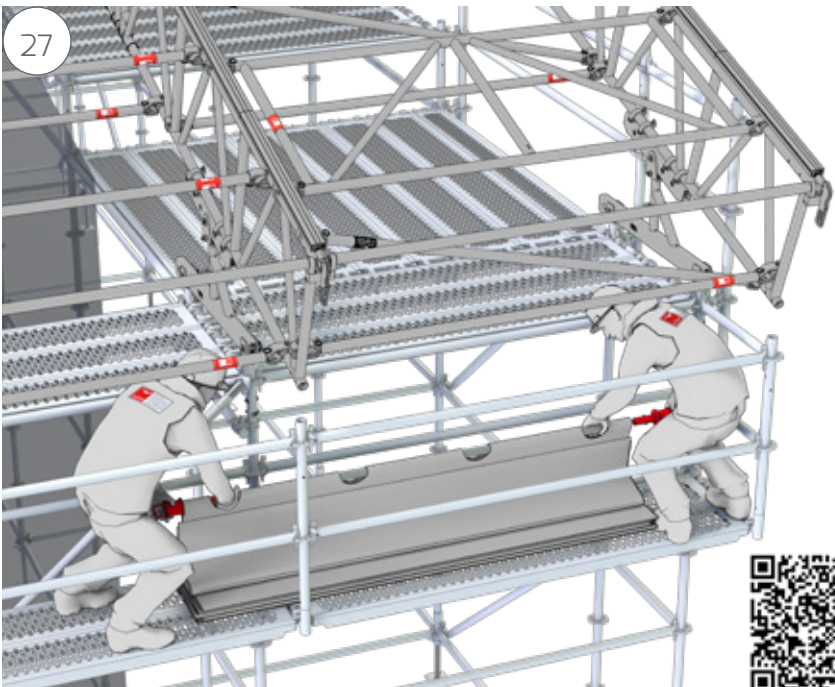




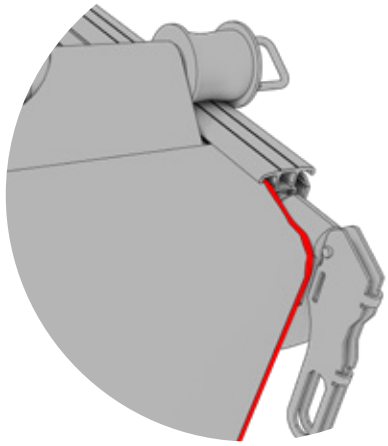
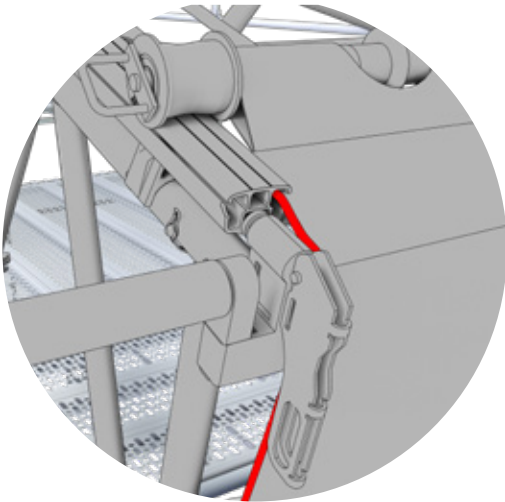
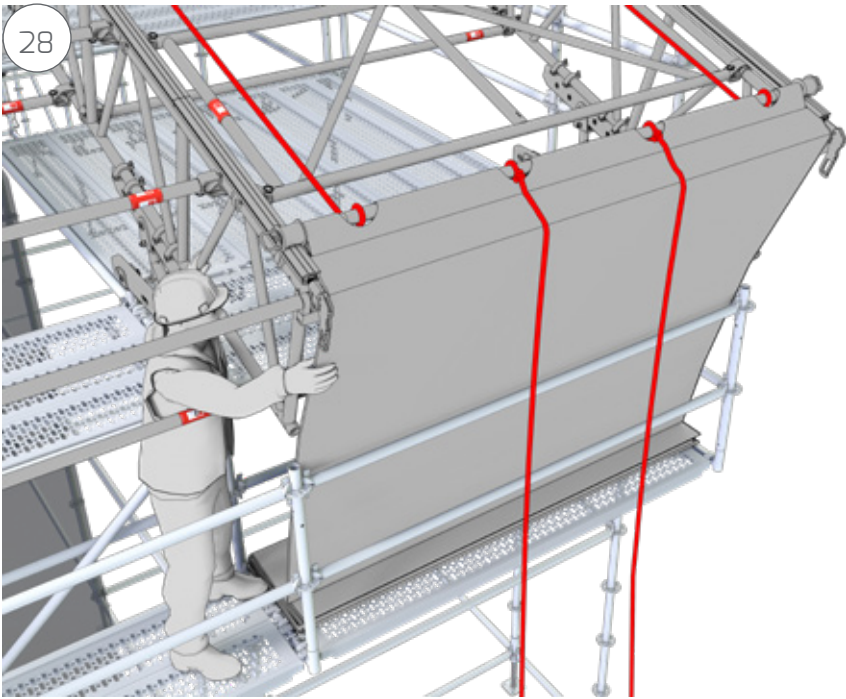


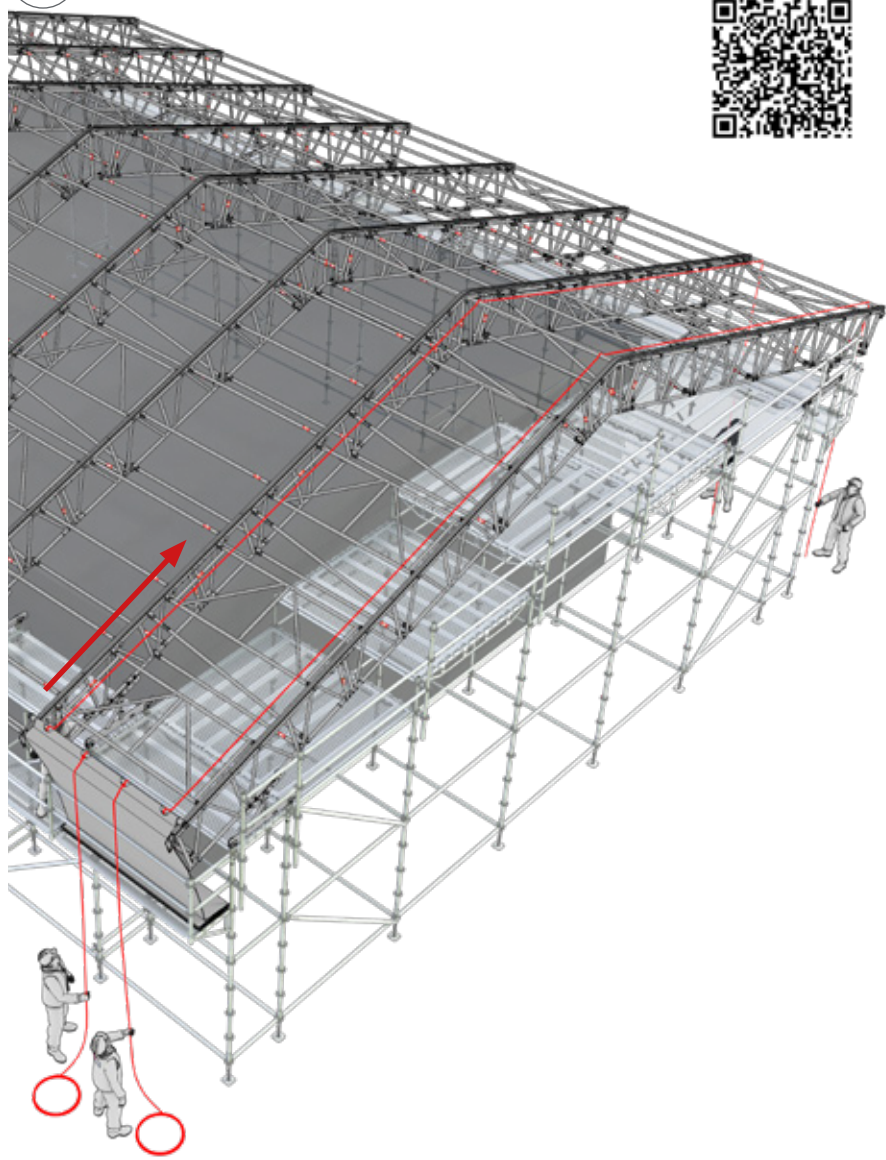


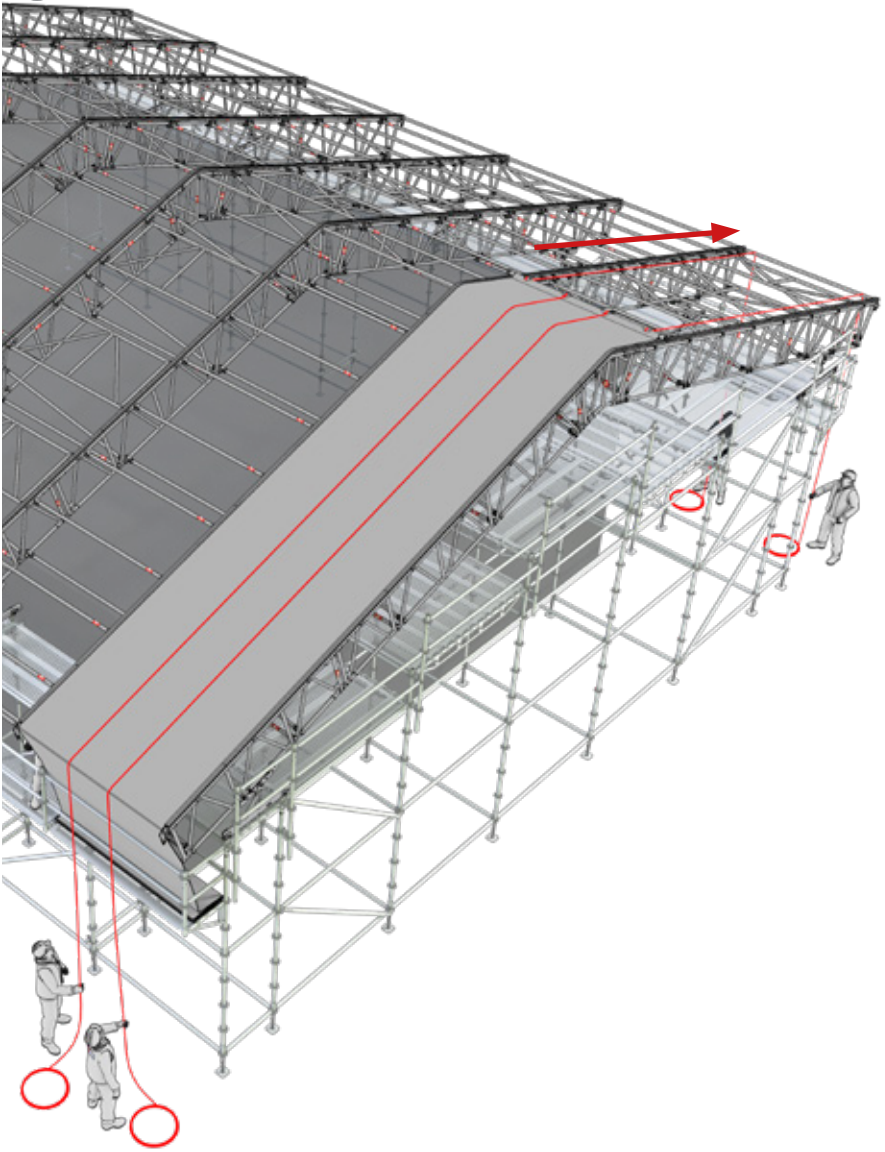
27



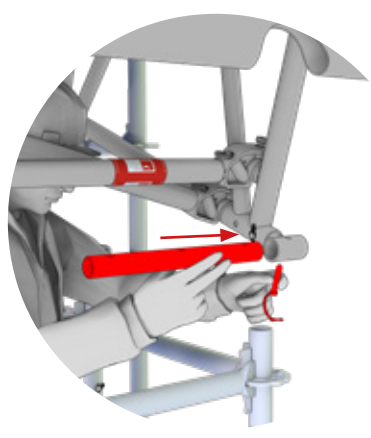
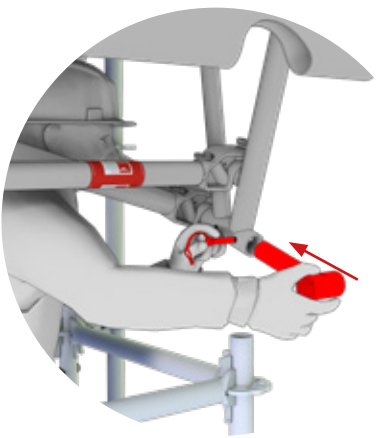
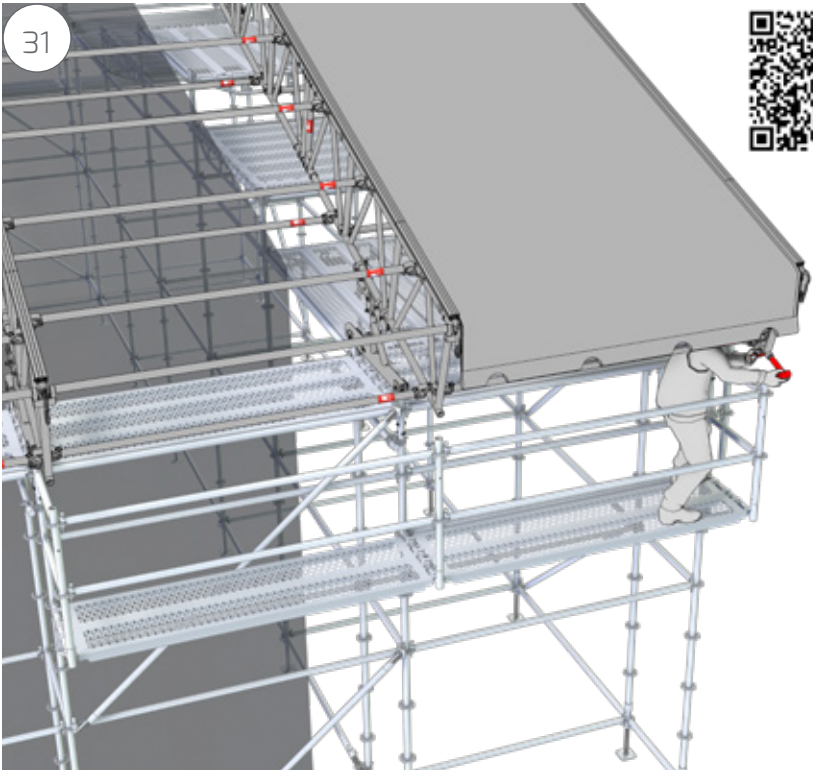
28



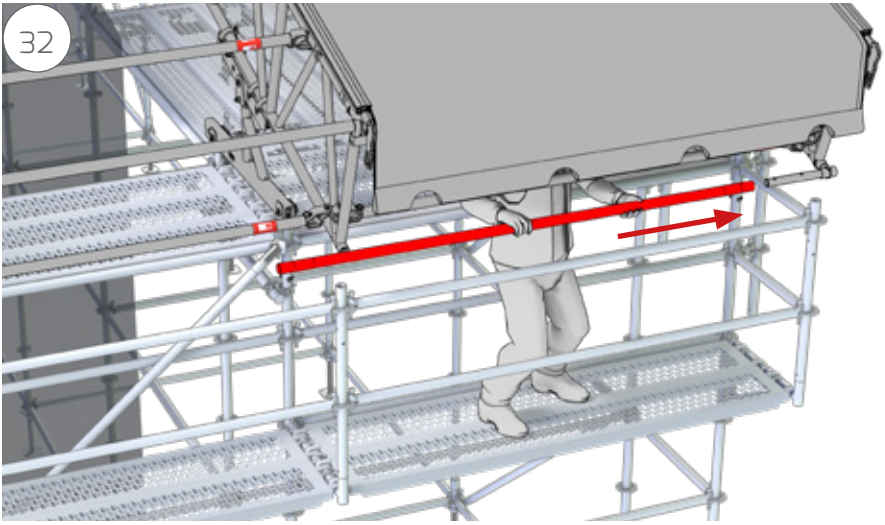




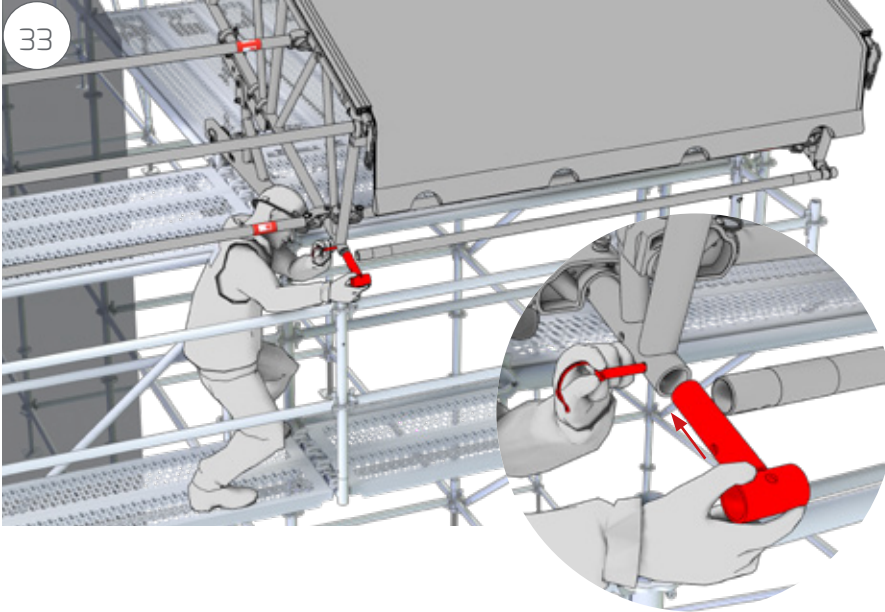
31



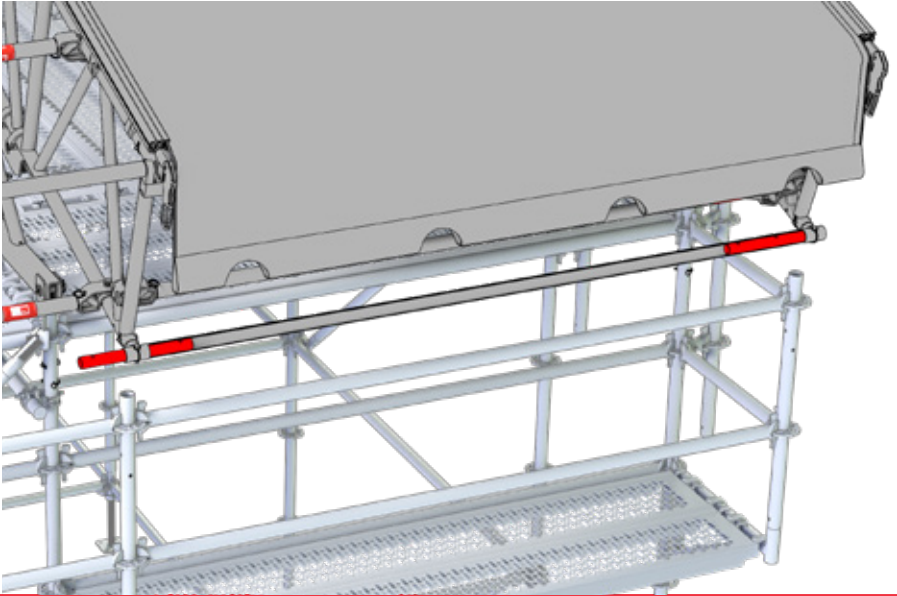
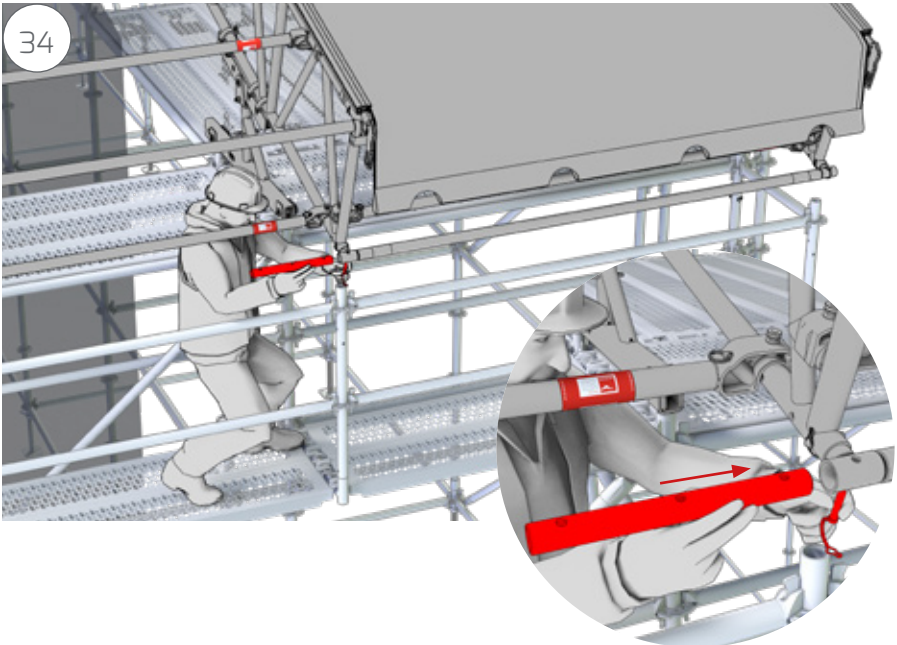
32



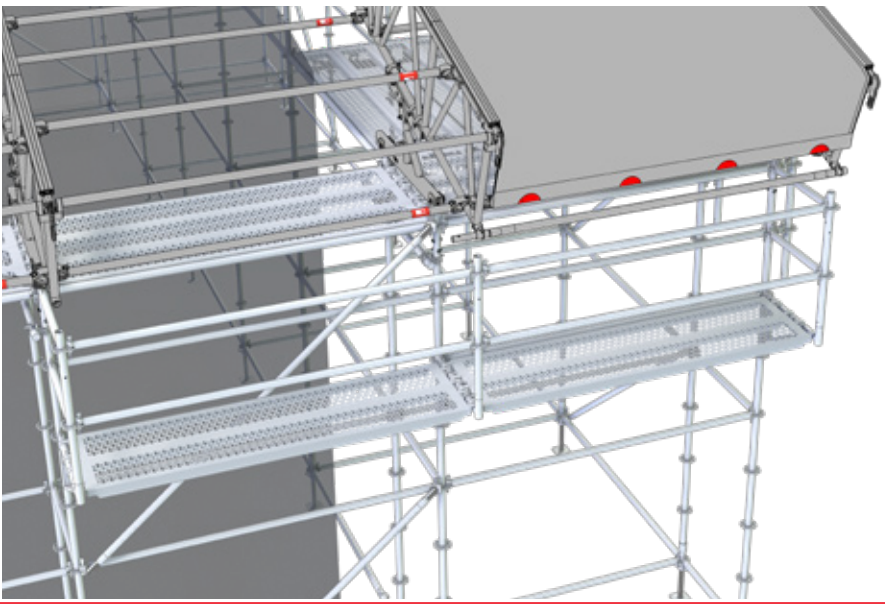
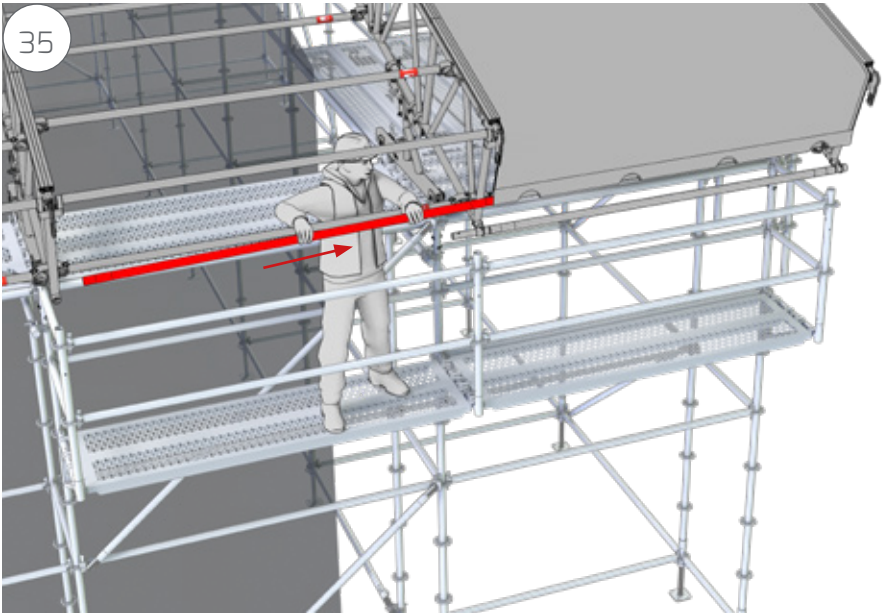
33



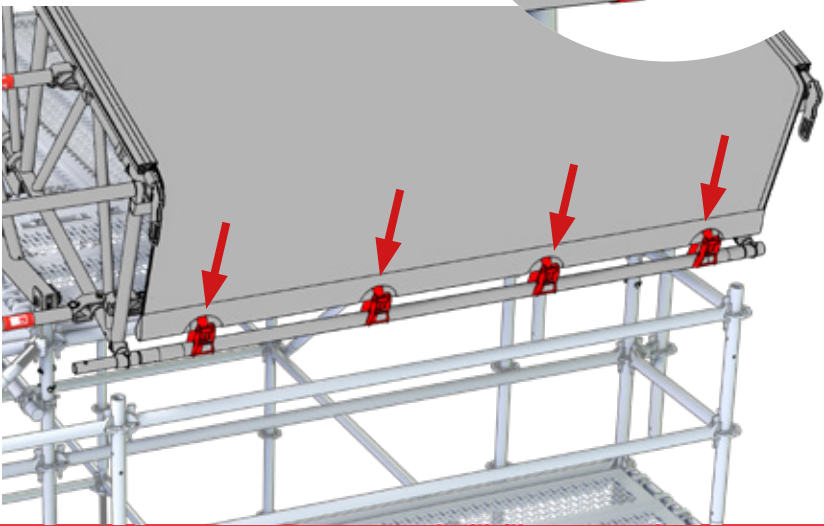
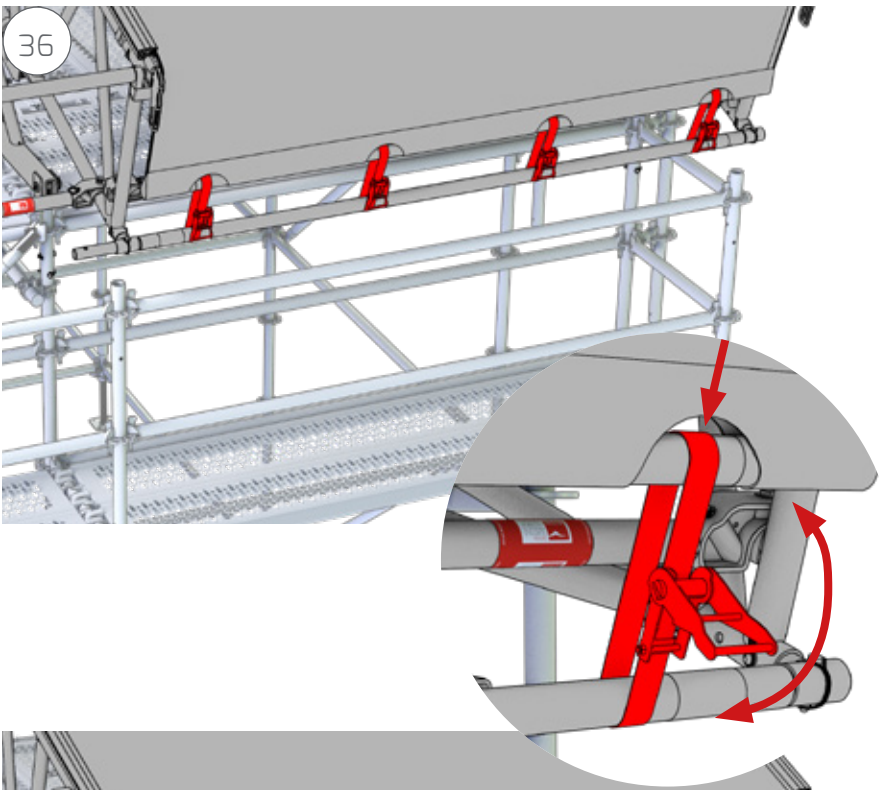
34

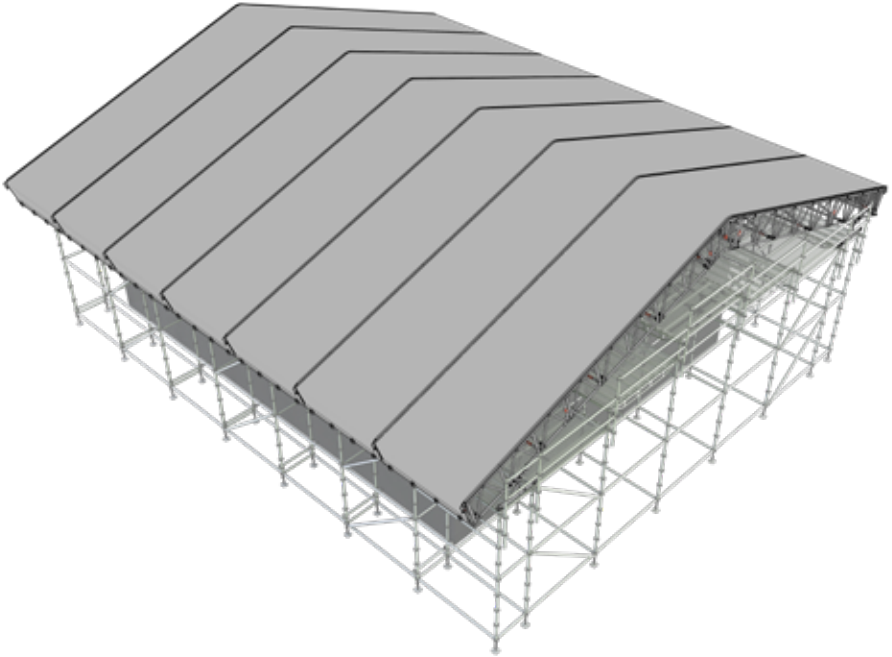


35



36







DESSA
SCAFFOLD
PRODUCTS
TECHNICAL
SERVICES

DESSA LIMITED

Unit 25 Little End Road, Eaton Socon, St. Neots, Cambridgeshire, PE19 8JH - United Kingdom

Tel +44 (0)1480 475297 - Fax +44(0)1480 215378 - Email: info@altrad-dessa.com

www.altrad-dessa.com

Q5G19001EN